

PRODUCT INFORMATION PACKET

marathon[®]
Motors

Model No: 324TTFS7290
Catalog No: Y387
30,1800/900,TEFC,324T,3/60/460
Other Purpose



Regal and Marathon are trademarks of Regal Beloit Corporation or one of its affiliated companies.
©2018 Regal Beloit Corporation, All Rights Reserved. MC017097E

REGAL[®]



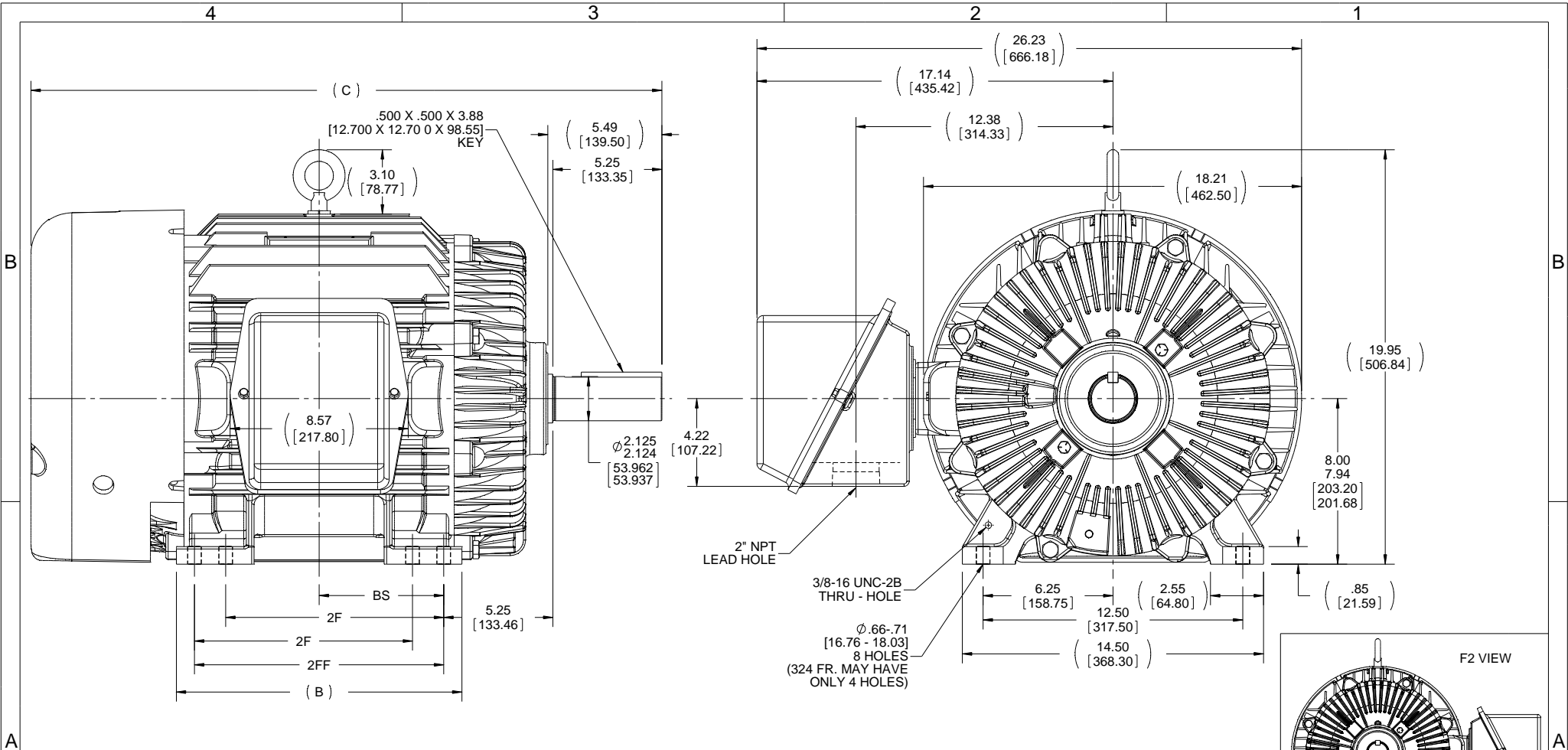
Nameplate Specifications

Output HP	30,7.50 Hp	Output KW	22.4 kW
Frequency	60 Hz	Voltage	460 V
Current	35,11.2 A	Speed	1785,888 rpm
Service Factor	1.15	Phase	3
Efficiency	91 %	Duty	Continuous
Insulation Class	F	Design Code	1VT
KVA Code	J	Frame	324T
Enclosure	Totally Enclosed Fan Cooled	Overload Protector	No
Ambient Temperature	40 °C	Drive End Bearing Size	6312
Opp Drive End Bearing Size	6311	UL	Recognized
CSA	Y	CE	Y
IP Code	55		

Technical Specifications

Electrical Type	Squirrel Cage Induction Run	Starting Method	Across The Line
Poles	4/8	Rotation	Reversible
Mounting	Rigid base	Motor Orientation	Horizontal
Drive End Bearing	Ball	Opp Drive End Bearing	Ball
Frame Material	Cast Iron	Shaft Type	T
Overall Length	28.88 in	Frame Length	11.50 in
Shaft Diameter	2.125 in	Shaft Extension	5.49 in
Assembly/Box Mounting	F1/F2 Capable		
Outline Drawing	A-SS28703-1150	Connection Diagram	A-EE7322

This is an uncontrolled document once printed or downloaded and is subject to change without notice. Date Created: 06/29/2018



- NOTES:
 1. CONDUIT BOX CAN BE ROTATED IN 90° STEPS.
 2. CONDUIT BOX CAN BE MOUNTED ON OPPOSITE SIDE BY REMOVING BRACKETS AND TURNING FRAME 180°
 3. NAMEPLATES TO BE READ FROM CONDUIT BOX SIDE OF MOTOR.

DASH	FRAME	B	C	2F	2FF	BS
1150	324T	13.00 [330.20]	28.88 [733.55]	-	10.50 [266.70]	5.25 [133.35]
1300	324/6T	13.75 [349.25]	30.38 [771.65]	10.50 [266.70]	12.00 [304.80]	6.00 [152.40]
1450	326T	15.00 [381.00]	31.88 [809.75]	12.00 [304.80]	13.50 [342.90]	6.75 [171.45]

DRAWING REVISION V	REVISION BY W. JOERGER	DATE 03-28-2015
ECO-0074425	APPROVED BY E. HEIL	DATE 03-28-2015
ECO DESCRIPTION CORRECTED FRAME/FOOT HOLE NUMBER NOTE <small>COPYRIGHT REGAL BELOIT AMERICA, INC. ALL RIGHTS RESERVED. PROPRIETARY AND CONFIDENTIAL INFORMATION - THIS DOCUMENT IS THE PROPERTY OF REGAL BELOIT AMERICA, INC. (OWNER) AND CONTAINS OWNER'S PROPRIETARY INFORMATION. ANY PERSON, CORPORATION OR OTHER FIRM RECEIVING IT IS DEEMED, BY RECEIVING IT, TO AGREE THAT IT, AND/OR ANY PART OF IT, SHALL NOT BE DISCLOSED TO ANY PERSON, CORPORATION OR OTHER ENTITY, DUPLICATED, AND/OR USED, EXCEPT AS EXPRESSLY APPROVED IN WRITING IN ADVANCE BY OWNER. THIS DOCUMENT SHALL BE RETURNED TO OWNER UPON REQUEST. IT MAY BE SUBJECT TO CERTAIN RESTRICTIONS UNDER APPLICABLE EXPORT CONTROL LAWS AND REGULATIONS.</small>		

TOLERANCES UNLESS OTHERWISE SPECIFIED:			
DEC	INCH	mm	ANGLE
.X	+0.1	[+2.5]	±7 30°
.XX	±0.03	[±0.76]	
.XXX	±0.005	[±0.127]	
.XXXX	±0.0005	[±0.0127]	
REMOVE BURRS & BREAK SHARP EDGES: .003/.015 [0.076/.381]			
CORNER FILLETS: .02 [0.51]			
MACHINED SURFACES: 200 INCH 5.1 mm SHOWN IN [BRACKETS]			

DRAWN BY RM
DATE 01-12-1993
APPROVED BY GK
DATE 01-12-1993
REFERENCE
THIRD ANGLE PROJECTION

REGAL™ Regal Beloit America, Inc.

DESCRIPTION
OUTLINE
320T FR. - BB - TS - TEFC

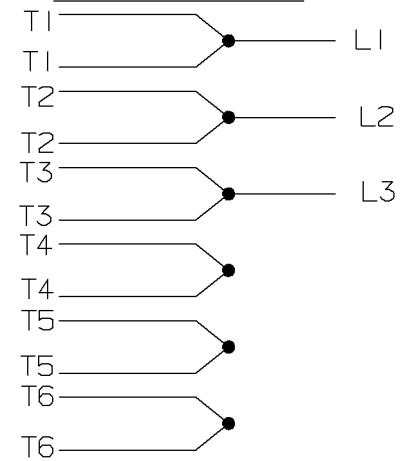
MATERIAL _____ PROCESS/FINISH _____

SIZE **B** DRAWING NUMBER **SS28703** SHEET 1 OF 1

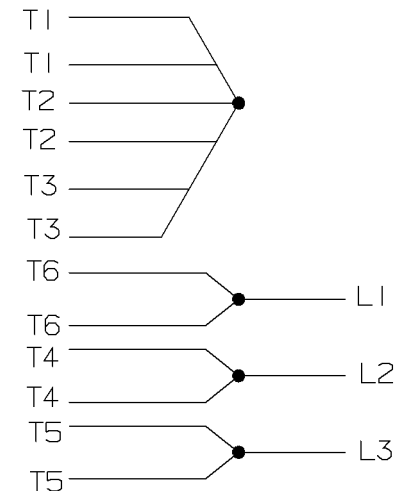
A- EE7322

FOR DUAL LEADS

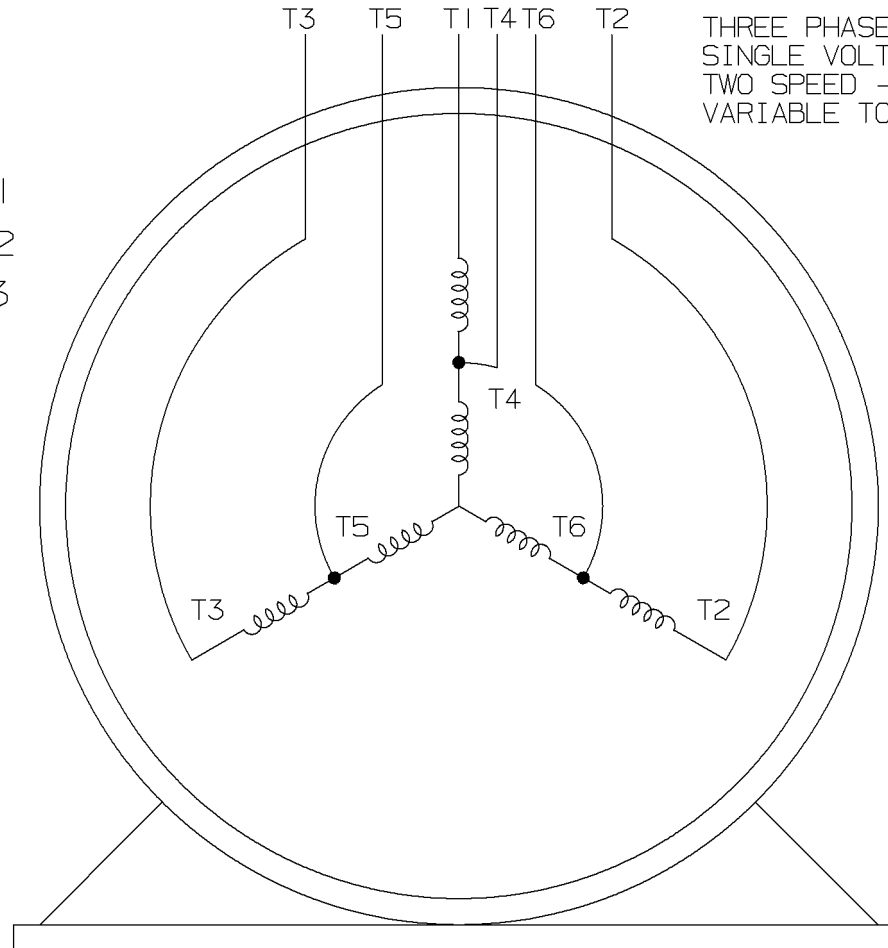
LOW SPEED



HIGH SPEED

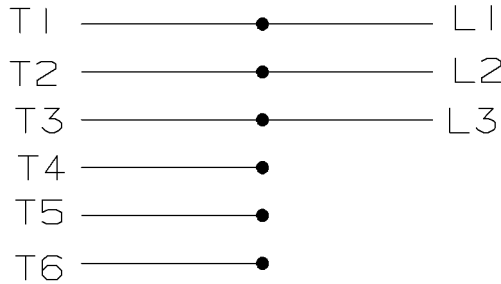


THREE PHASE MOTOR
SINGLE VOLTAGE
TWO SPEED - SGL. WDG.
VARIABLE TORQUE

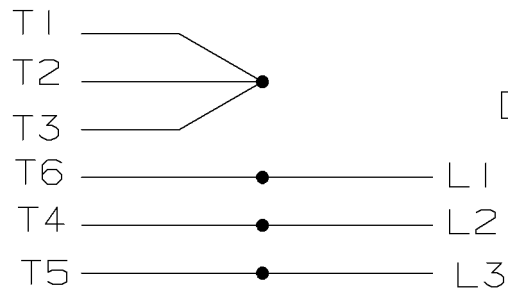


VIEW OF TERMINAL END

LOW SPEED



HIGH SPEED



T612C

T48B

				✓ MAX. SURFACE ROUGHNESS UNLESS NOTED OTHERWISE	UNLESS OTHERWISE SPECIFIED DIMENSIONS ARE IN INCHES TOL. ON XX± XXX±.005 XXXX±.0005 ANGLES±		
				MATL SPEC			DRAWN BY PGK 12-26-1996
				FINISH			CHKD BY ML 01-07-1997
7	01-08-1997	REDRAWN ON CADD	PGK	REFERENCE DRW.			WAUSAU, WISCONSIN 54401
REV	DATE	CHANGE	NAME	PART NAME	CONNECTION DIAGRAM		DRWG NO
				3Ø - SINGLE VOLTAGE - 2 SPEED			A- EE7322

SHOP BOOK

PURCHASED

DISTRIBUTION - WA - LB - WP - LM - BR

CADD FILE NO.

EE7322

